

CRYO

CRYOGEN FREE DETECTOR SYSTEMS



- Test IR Focal Plane Arrays ICs (Dips), Detectors...standard & custom devices support for (14 - 64-pin DIP, 68 - 124 pin LCCs)
- Up to 244 signal lines
- Variable Temperature Stability +/- 0.05K
- Unlimited 'Run' time at setpoint certain models)
- Fast cooldown

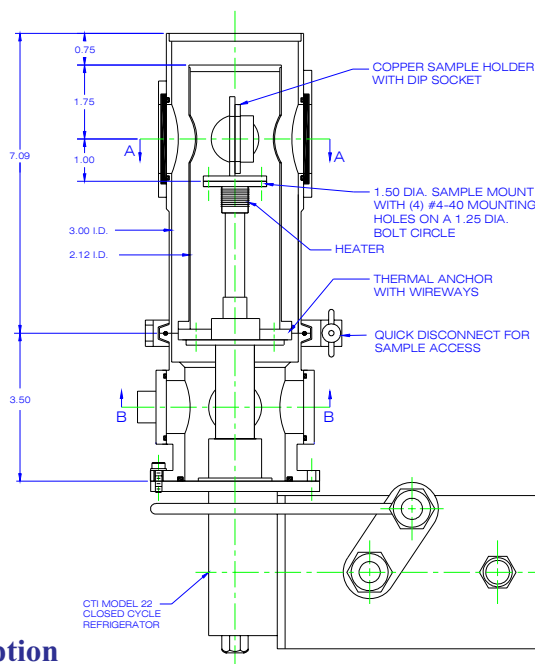
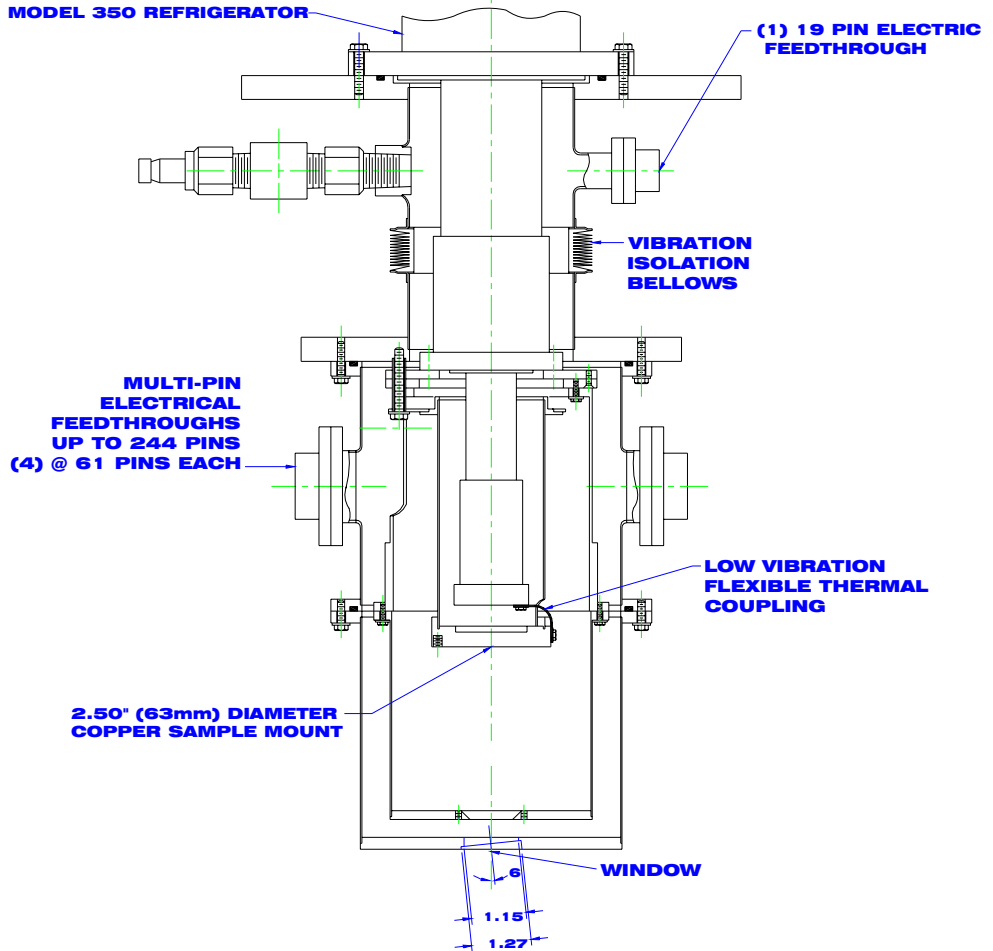


MTD - 201CF CRYOGEN FREE

Standard or low
vibration models!



CRYO Industries closed cycle cryogenic WORKSTATIONS provide cooling without using liquid cryogenes. Samples (chips) are mounted in vacuum into a chip holder (carrier). Designed for 'cold finger' sample mounting. Easy sample access through quick connect vacuum shroud. Large variety of standard optical shrouds and 'T' style mounts are available. Typical temperature operating range is from 10 to 325 K. Low vibration version for IR arrays or other vibration sensitive experiments is available.



**Adding the 600K Option
will extend the temperature
operating range to 600K!**

CRYO Industries of America, Inc. 11124 S. Willow Street Manchester, NH 03103		DWG. NO. REF-1644M2-MTD	
TITLE	CLOSED CYCLE MTD-201CF OPTICAL REFRIGERATOR SYSTEM	REV.	DATE BY
DWN. BY	GJS	SCALE	NYS
CHKD. BY	OC	DATE	SEP 02, 1999